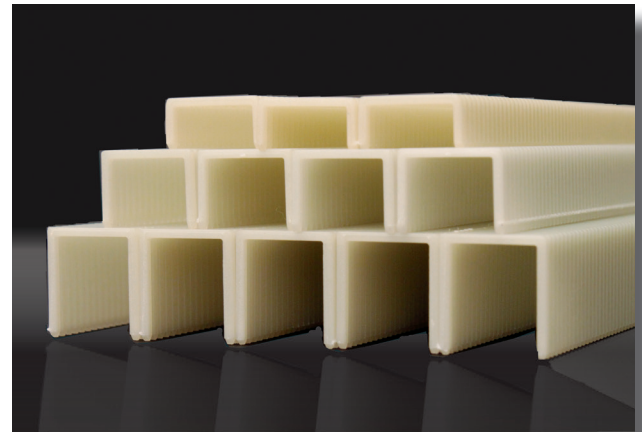
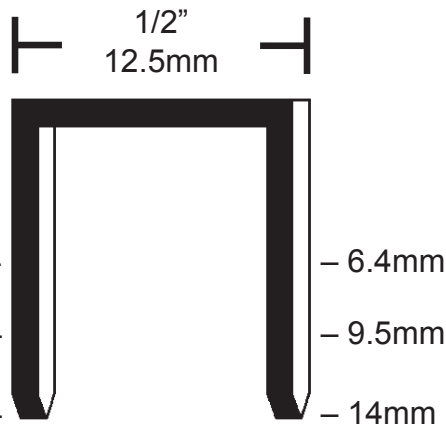




RAPTOR

Fastener Type RAPTOR® S/05 Composite 19 Gauge Staple



BENEFITS

- ✓ **Sawable, Sandable & Planeable**
- ✓ **Never Rusts or Corrodes**
- ✓ **Bonds Like Glue**
- ✓ **Completely Non-Metal**

APPLICATIONS

- Lumber wrap
- Lumber tagging
- Boatbuilding
- Fiberglass lay-up
- Composites manufacturing
- Radiant barrier installation
- House wrap
- Casket lining
- Casegoods tagging

TOOLS

- Pneumatic:
OMER 81P Series
- Manual:
RAPTOR® G-3PS
RAPTOR® CT-6000P

Material Grades

Standard material: Provides best drivability but can damage high speed steel moulder knives.
 LF Material: Safe for most moulder blades but drivability is somewhat compromised.
 NF Material: Safe for all delicate blades but drivability is somewhat compromised.

Colors

RAPTOR® fasteners are available in colors such as White, Brown, Redwood, Cedar, Blue, Red and Gray. Please contact us for minimum order requirements and lead times.



Universal Tag, Inc.

Authorized Distributor:

36 Hall Rd. - PO Box 1518
Dudley, MA 01571

800-332-8247



RAPTOR

OMER 81P Series Stapler

The 81P pneumatic stapler drives RAPTOR® 19 gauge composite staples from 1/4" through 9/16". It is extremely fast, lightweight, well-balanced and rugged.

It is offered in a standard-length magazine and a long magazine version for operators who prefer less reloading.

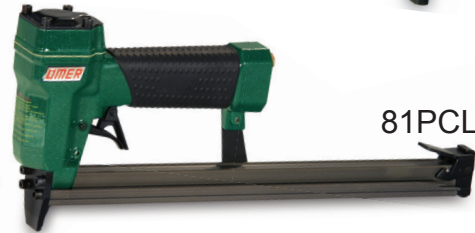
The 81P is also offered with a trigger safety or with a contact trip safety to reduce the possibility of accidental firing.



81P



81PS



81PCL



81PSCL

TECHNICAL DATA

Model	81P	81PS	81PCL	81PSCL
Magazine capacity	70 staples	70 staples	175 staples	175 staples
Operating air pressure	60 – 90 psi (4 – 6 bar)			
Dimensions LxWxH	8.5" x 1.7" x 5.8" (216 x 43 x 148mm)	8.5" x 1.7" x 5.8" (216 x 43 x 148mm)	13.8" x 1.7" x 5.8" (350 x 43 x 148mm)	13.8" x 1.7" x 5.8" (350 x 43 x 148mm)
Weight	1.9 lb (0.9 kg)	1.9 lb (0.9 kg)	2.4 lb (1.1 kg)	2.4 lb (1.1 kg)
Safety	Trigger	Contact	Trigger	Contact

Universal Tag, Inc.

Authorized Distributor:

36 Hall Rd. - PO Box 1518
Dudley, MA 01571

800-332-8247





RAPTOR

MANUAL STAPLERS

RAPTOR® G-3PS Hammer Tacker

RAPTOR® CT-6000P Compression Stapler

The G-3PS Hammer Tacker accepts all RAPTOR® 16 and 19 gauge staples less than 1/2" long without sacrificing performance of any of these sizes.

The G-3PS new power grip reduces fatigue while providing the same ergonomic, high-quality design.

The CT-6000P Compression Stapler drives RAPTOR® 19 gauge composite staples. The easy squeeze handle allows for extended use without fatigue.

These professional tools have been ergonomically designed for comfort and ease of use.

Hardened steel working parts, a retractable driver blade and a simple reloading system make either of these tools a great addition for any operator who needs a portable stapler.

G-3PS



CT-6000P



TECHNICAL DATA

Model	G-3PS	CT-6000P
Magazine capacity	140 staples	70 staples
Dimensions LxH	11.7" x 2.0" (298 x 51mm)	7.5" x 6.5" (190 x 165mm)
Weight	2.2 lb (1.0 kg)	1.1 lb (0.52 kg)
Staple Lengths Accepted	1/4"; 3/8", 7/16"	1/4"; 3/8"; 9/16"



Universal Tag, Inc.

Authorized Distributor:

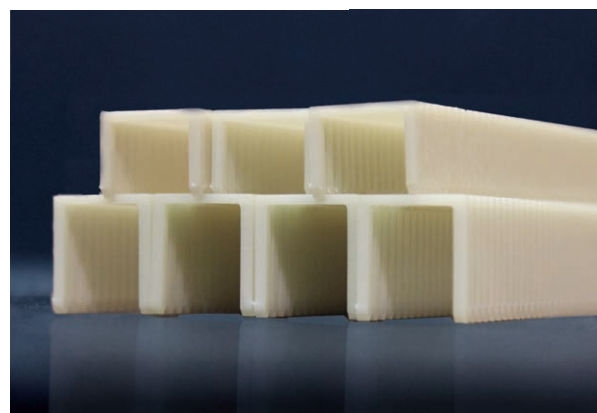
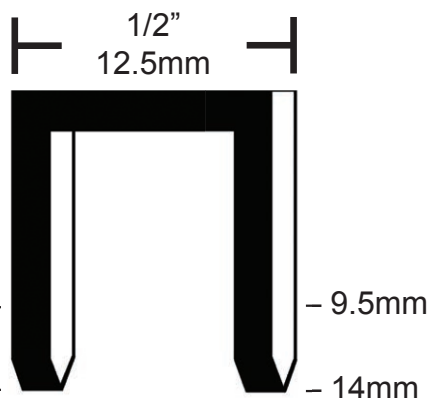
36 Hall Rd. - PO Box 1518
Dudley, MA 01571

800-332-8247



RAPTOR

Fastener Type **RAPTOR® SH/05 Composite 16 Gauge Staple**



BENEFITS

- ✓ **Sawable, Sandable & Planeable**
- ✓ **Never Rusts or Corrodes**
- ✓ **Bonds Like Glue**
- ✓ **Completely Non-Metal**

APPLICATIONS

Lumber wrap
Lumber tagging
Boatbuilding
Fiberglass lay-up
Composites manufacturing
Radiant barrier installation
House wrap
Casket lining
Casegoods tagging

TOOLS

Pneumatic:
OMER 82P Series
Manual:
RAPTOR® G-3PS

Material Grades

Standard material: Provides best drivability but can damage high speed steel moulder knives.
LF Material: Safe for most moulder blades but drivability is somewhat compromised.
NF Material: Safe for all delicate blades but drivability is somewhat compromised.

Colors

RAPTOR® fasteners are available in colors such as White, Brown, Redwood, Cedar, Blue, Red and Gray.
Please contact us for minimum order requirements and lead times.



Universal Tag, Inc.

Authorized Distributor:

36 Hall Rd. - PO Box 1518
Dudley, MA 01571
800-332-8247



RAPTOR

OMER 82P Series Stapler

The 82P stapler drives RAPTOR® 16 gauge, 1/2" crown composite staples from 3/8" through 9/16". It is extremely fast, lightweight, well-balanced and rugged.

It is offered in a standard-length magazine and a long magazine version for operators who prefer less reloading.

The 82P is also offered with a trigger safety or with a contact trip safety to reduce the possibility of accidental firing.



82P



82PS



82PCL



82PSCL

TECHNICAL DATA

Model	82P	82PS	82PCL	82PSCL
Magazine capacity	60 staples	60 staples	120 staples	120 staples
Operating air pressure	60 – 90 psi (4 – 6 bar)			
Dimensions LxWxH	8.5" x 1.7" x 5.8" 216 x 43 x 148mm	8.5" x 1.7" x 5.8" 216 x 43 x 148mm	13.8" x 1.7" x 5.8" 350 x 43 x 148mm	13.8" x 1.7" x 5.8" 350 x 43 x 148mm
Weight	1.9 lb (0.9 kg)	1.9 lb (0.9 kg)	2.4 lb (1.1 kg)	2.4 lb (1.1 kg)
Safety	Trigger	Contact	Trigger	Contact

Universal Tag, Inc.

Authorized Distributor:

36 Hall Rd. - PO Box 1518

Dudley, MA 01571

800-332-8247

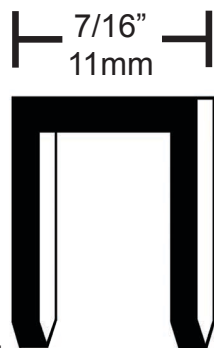




RAPTOR

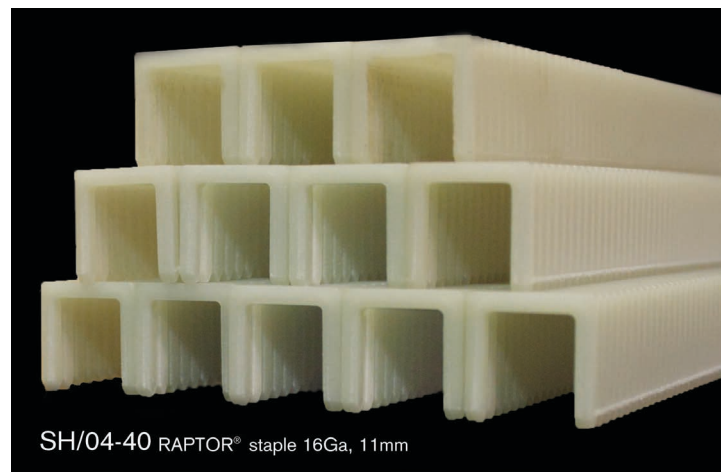
Fastener Type

RAPTOR® SH/04-40 Composite 16 Gauge Staple



Part #

SH/04-40 7/16" – 11mm



SH/04-40 RAPTOR® staple 16Ga, 11mm

BENEFITS

- ✓ Sawable, Sandable & Planeable
- ✓ Never Rusts or Corrodes
- ✓ Bonds Like Glue
- ✓ Completely Non-Metal

APPLICATIONS

Lumber wrap
Lumber tagging
Boatbuilding
Fiberglass lay-up
Composites manufacturing
Radiant barrier installation
House wrap
Casket lining
Casegoods tagging

TOOLS

Pneumatic:

OMER 83P Series

Manual:

G-3PS Hammer Tacker

Colors

RAPTOR® fasteners are available in colors such as White, Brown, Redwood, Cedar, Blue, Red and Gray. Please contact us for minimum order requirements and lead times.



Universal Tag, Inc.

Authorized Distributor:

36 Hall Rd. - PO Box 1518
Dudley, MA 01571

800-332-8247



OMER 83P Series Stapler

The 83P stapler drives RAPTOR® 11mm crown, 16 gauge composite staples, in 11mm leg length. It is extremely fast, lightweight, well-balanced and rugged.

It is offered in a standard-length magazine and a long magazine version for operators who prefer less reloading.

The 83P is also offered with a trigger safety or with a contact trip safety to reduce the possibility of accidental firing.



TECHNICAL DATA

Model	83P	83PS	83PCL	83PSCL
Magazine capacity	60 staples	60 staples	120 staples	120 staples
Operating air pressure	60 – 90 psi (4 – 6 bar)			
Dimensions LxWxH	8.5" x 1.7" x 5.8" 216 x 43 x 148mm	8.5" x 1.7" x 5.8" 216 x 43 x 148mm	13.8" x 1.7" x 5.8" 350 x 43 x 148mm	13.8" x 1.7" x 5.8" 350 x 43 x 148mm
Weight	1.9 lb (0.9 kg)	1.9 lb (0.9 kg)	2.4 lb (1.1 kg)	2.4 lb (1.1 kg)
Safety	Trigger	Contact	Trigger	Contact

Universal Tag, Inc.

Authorized Distributor:

36 Hall Rd. - PO Box 1518
Dudley, MA 01571

800-332-8247





MANUAL STAPLER

RAPTOR® G-3PS Hammer Tacker

The G-3PS Hammer Tacker accepts RAPTOR® composite staples of all gauges in 1/4", 3/8" and 7/16" leg lengths.

This professional tool has been ergonomically designed for comfort and ease of use. The power grip handle allows for extended use without fatigue.

Hardened steel working parts, a retractable driver blade and a simple reloading system make this tool a great addition for any operator who needs a portable stapler.



TECHNICAL DATA

Model	G-3PS
Magazine capacity	140 staples
Dimensions LxH	11.7" x 2.0" (298 x 51mm)
Weight	2.2 lb (1.0 kg)
Staple Lengths Accepted	1/4"; 3/8", 7/16"



Universal Tag, Inc.

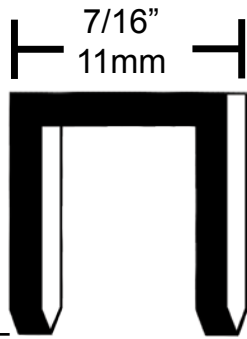
Authorized Distributor: 36 Hall Rd. - PO Box 1518
 Dudley, MA 01571
 800-332-8247



RAPTOR

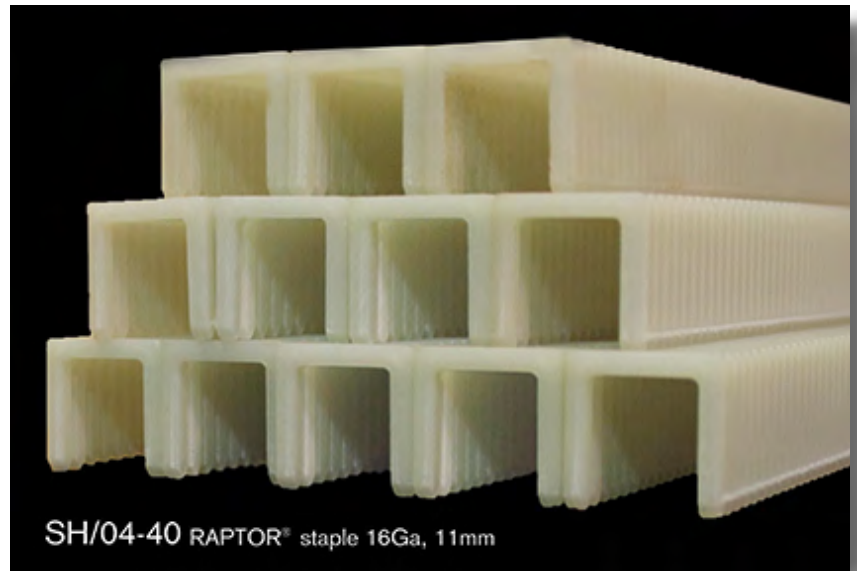
Fastener Type

RAPTOR® SH/04-40 Composite 16 Gauge Staple



Part #

SH/04-40 7/16" - 11mm



SH/04-40 RAPTOR® staple 16Ga, 11mm

BENEFITS

- ✓ Sawable, Sandable & Planeable
- ✓ Never Rusts or Corrodes
- ✓ Bonds Like Glue
- ✓ Completely Non-Metal

APPLICATIONS

Lumber wrap
Radiant barrier installation
House wrap

TOOL

RAPTOR® RC-SH/04
Cap Stapler

Universal Tag, Inc.

Authorized Distributor:

36 Hall Rd. - PO Box 1518
Dudley, MA 01571

800-332-8247





RAPTOR

RAPTOR® RC-SH/04 Cap Stapler

In one easy step, the RC-SH/04 pneumatic cap stapler drives RAPTOR® 16 gauge, SH/04-40, composite staples through the patented cap to hold thin layers of fabric paper or plastic wrap. This system provides excellent strain relief so the staple will not rip through in windy conditions and it provides resistance to water penetration at the staple entry point. It is an extremely fast, comfortable, lightweight, maneuverable, well-balanced, sturdy and durable tool, built for production applications.

The open design makes staple and cap reloading easy. The high capacity canister holds 240 caps per reel and 96 staples. The switchable trigger creates an easy transition to bump fire from sequential fire. Additionally, this tool can easily switch between stapling caps to driving staples only.



TECHNICAL DATA

Model	RC-SH/04
Magazine capacity	60 staples
Operating air pressure	70 - 110 psi (4.8 - 7.6 bar)
Dimensions LxWxH	15.5" x 4" x 10.5" (394 x 102 x 267mm)
Weight	4.8 lb (2.2 kg)
Safety	Contact & Sequential drive



Button Kap® Plastic Caps
Item number: RC-CAP
Caps per coil: 240
Coils per box: 10 coils
Patented design protects against tearing and water damage.



Universal Tag, Inc.	
Authorized Distributor:	36 Hall Rd. - PO Box 1518 Dudley, MA 01571
	800-332-8247